

YOUR WISHES SET OUR STANDARDS

Member of the Network

LEITBETRIEBE AUSTRIA
www.leitbetriebe.at

LED Plaza

LIGHTS FOR INDOOR AND
OUTDOOR LIGHTING



GIFAS
ELECTRIC

7a

LED Flood- and Spotlights

Pages 4 - 8 + 27

PLAZA 901 Flood	PLAZA 925 Flood	PLAZA 925 Spot	PLAZA 990 Flood	PLAZA 990 Spot	PLAZA 925 Emergency-Set
					
Page 4	Page 5	Page 6	Page 7	Page 8	Page 27

LED Flood- and Spotlights

Pages 9 - 18

PLAZA 960 Flood	PLAZA 960 Spot	PLAZA 914 Flood	PLAZA 921 Flood	PLAZA 928 Flood	PLAZA 970 Flood
					
Page 9	Page 10	Page 11	Page 12	Page 13	Page 14

LED Pendant lights

Pages 20 - 21

PLAZA 995 B	PLAZA 995 E	PLAZA 9530
		
Page 20	Page 20	Page 21

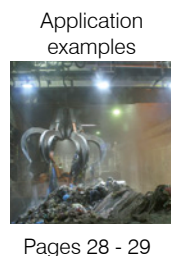
LED side entry light

Pages 22 - 26

PLAZA 5324	PLAZA 7235	PLAZA 720	PLAZA 920	PLAZA 9946
				
Page 22	Page 23	Page 24	Page 25	Page 26

Application examples

Pages 28 - 29



PLAZA 970 Spot PLAZA 972 Flood PLAZA 972 Spot Accessories



Page 15



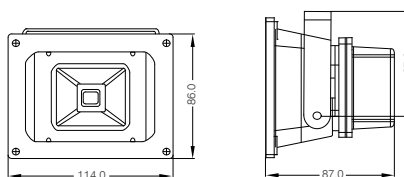
Page 16



Page 17

Page 18

PLAZA 901 Flood



Use: Indoor and Outdoor

Advertising panels, gateways to yards, illumination of storefronts and objects, for emergency and salvage services, schools, public buildings...

Appropriate for all locations for which a broad area of illumination is required.

Advantages

- Full luminous flux is available immediately
- Lower power consumption with good luminous efficiency
- Minimal temperature development
- Extremely resistant to switching (> 1 million)
- Maintenance-free
- Operates within a broad temperature range: -40°C up to +55°C
- No UV/IR-radiation
- Not sensitive to impact and vibrations

Already included in the scope of delivery:

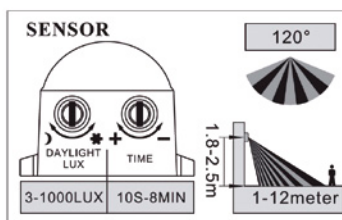
- retaining bracket for ceiling- wall- or floor-mounting

LED Power	10W
Voltage	230VAC / 220VDC
Luminous flux	80lm/W
CRI Index (colour rend. index)	Ra>80
Average lifetime of LED at 20°C	>50.000 h
Loss of luminous flux	< 10%
LED resistance to switching	> 1 million
Colour temperature	approx. 3.500K / 5.500K
Temperature range for operation	-40°C up to +55°C
Material cabinet + reflector	aluminium
Colour	silver-grey
Cover	5 mm safety-glass
Type of protection / protection class	IP65 (with motion sensor IP44) / I
Weight	0.8 kg (with motion sensor 1.0 kg)
Dimensions L x W x H	114 x 86 x 87 mm
Dimensions L x W x H	with motion sensor 114 x 86 x 106 mm

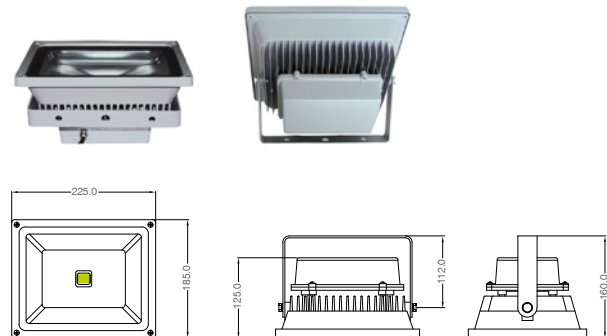
Light colour warm white 3.500K		
EDP No.	Product ID No.	Watt
103249	901.FLOOD.LED.10W.WW.230VAC.S3.M with 3 m connection cable with non-rewireable Schuko plug 16A 230V (IP44)	10W

Light colour cool white 5.500K		
EDP No.	Product ID No.	Watt
92708	901.FLOOD.LED.10W.CW.230VAC.S3.M with 3 m connection cable with non-rewireable Schuko plug 16A 230V (IP44)	10W

Light colour warm white 3.500K - with motion sensor		
EDP No.	Product ID No.	Watt
105598	901.FLOOD.LED.SENSOR.10W.WW.230VAC.S3.M with motion sensor and 3 m connection cables with non-rewireable Schuko plug 16A 230V (IP44)	10W



PLAZA 925 Flood



Use: Indoor and Outdoor

Advertising panels, gateways to yards, illumination of storefronts and objects, for emergency and salvage services, schools, public buildings etc.

Appropriate for all locations where a broad area of illumination is required.

Advantages

- Full luminous flux is available immediately
- Lower power consumption with good luminous efficiency
- Minimal temperature development
- Extremely resistant to switching (> 1 million)
- Maintenance-free
- Operates within a broad temperature range -40°C up to +55°C
- No UV/IR-radiation
- Not sensitive to impact and vibrations

Included in the scope of delivery:

- retaining bracket for ceiling- wall- or floor-mounting

Accessories also available (see page 18).

LED Power	30W
Voltage	230VAC / 220VDC
Luminous flux	100lm/W
CRI Index (colour rend. index)	Ra > 80
Average lifetime of LED at 20°C	> 50.000 h
Loss of luminous flux	< 10%
LED resistance to switching	> 1 million
Colour temperature	approx. 3.500K / 5.500K
Temperature range for operation	-40°C up to +55°C
Material cabinet + reflector	aluminium
Colour	silver-grey
Cover	5 mm safety-glass
Type of protection / protection class	IP65 / I
Weight	2.3 kg
Dimensions L x W x H	225 x 185 x 125 mm

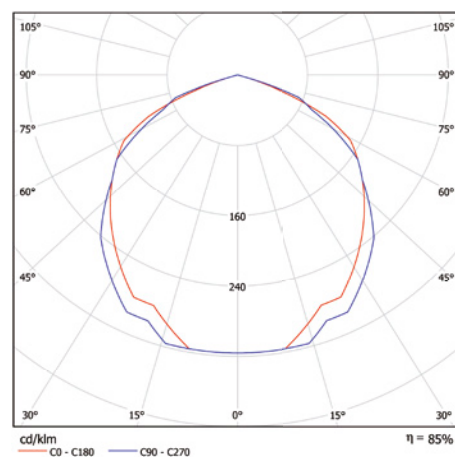
Light colour warm white 3.500K

EDP No.	Product ID No.	Watt
91111	925.FLOOD.LED.30W.WW.230VAC.IP65.S3.GG.M with 3 m connection cable with non-rewireable Schuko plug 16A 230V (IP44)	30W
100498	925.FLOOD.LED.30W.WW.230VAC.IP65.M without connection cable	30W

Light colour cool white 5.500K

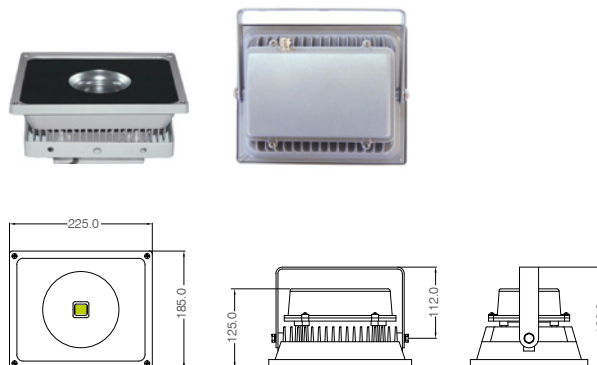
EDP No.	Product ID No.	Watt
91110	925.FLOOD.LED.30W.CW.230VAC.IP65.S3.GG.M with 3 m connection cable with non-rewireable Schuko plug 16A 230V (IP44)	30W
91539	925.FLOOD.LED.30W.CW.230VAC.IP65.M without connection cable	30W

Light intensity distribution (at 30W)



Alternative levels of output, voltages and colour temperatures are available on request.

PLAZA 925 Spot



Use: Indoor and Outdoor

Targeted accentuation for lighting façades and objects.

Advantages

- Full luminous flux is available immediately
- Lower power consumption with good luminous efficiency
- Minimal temperature development
- Extremely resistant to switching (> 1 million)
- Maintenance-free
- Operates within a broad temperature range -40°C up to +55°C
- No UV/IR-radiation
- Not sensitive to impact and vibrations

Included in the scope of delivery:

- retaining bracket for ceiling- wall- or floor-mounting

Accessories also available (see page 18).

LED Power	30W
Voltage	230VAC / 220VDC
Luminous flux	100lm/W
CRI Index (colour rend. index)	Ra>80
Average lifetime of LED at 20°C	>50.000 h
Loss of luminous flux	< 10%
LED Resistance to switching	>1 million
Colour temperature	approx. 3.500K / 5.500K
Temperature range for operation	-40°C up to +55°C
Material cabinet + reflector	aluminium
Colour	silver-grey
Cover	5 mm safety-glass
Type of protection / protection class	IP65 / I
Weight	2.3 kg
Dimensions L x W x H	225 x 185 x 125 mm

Light colour warm white 3.500K

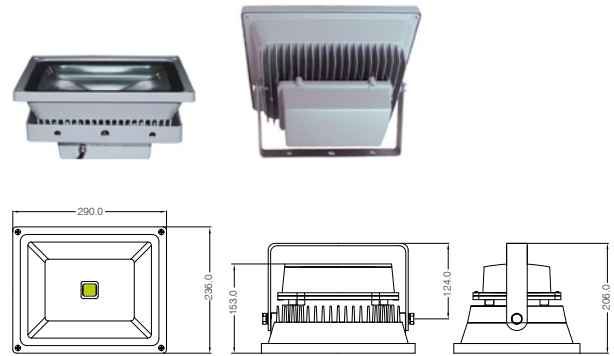
EDP No.	Product ID No.	Watt
91112	925.SPOT.LED.30W.WW.230VAC.IP65.S3.GG.M with 3 m connection cable with non-rewireable Schuko plug 16A 230V (IP44)	30W
91540	925.SPOT.LED.30W.WW.230VAC.IP65.M without connection cable	30W

Light colour cool white 5.500K

EDP No.	Product ID No.	Watt
93088	925.SPOT.LED.30W.CW.230VAC.IP65.S3.GG.M with 3 m connection cable with non-rewireable Schuko plug 16A 230V (IP44)	30W
93089	925.SPOT.LED.30W.CW.230VAC.IP65.M without connection cable	30W

Alternative levels of output, voltages and colour temperatures available on request.

PLAZA 990 Flood



Use: Indoor and Outdoor

Advertising panels, gateways to yards, illumination of storefronts and objects, for emergency and salvage services, schools, public buildings etc.

Appropriate for all locations for which a broad area of illumination is required.

Advantages

- Full luminous flux is available immediately
- Lower power consumption with good luminous efficiency
- Minimal temperature development
- Extremely resistant to switching (> 1 million)
- Maintenance-free
- Operates within a broad temperature range -40°C up to +55°C
- No UV/IR-radiation
- Not sensitive to impact and vibrations

Included in the scope of delivery:

- retaining bracket for ceiling- wall- or floor-mounting

Accessories also available (see page 18).

LED Power	50W
Voltage	230VAC / 220VDC
Luminous flux	100lm/W
CRI Index (colour rend. index)	Ra>80
Average lifetime of LED at 20°C	>50.000 h
Loss of luminous flux	< 10%
LED Resistance to switching	>1 million
Corralated colour temperature	approx. 3.500K / 5.500K
Temperature range for operation	-40°C up to +55°C
Material cabinet + reflector	aluminium
Colour	silver-grey
Cover	5 mm safety-glass
Type of protection / protection class	IP65 / I
Weight	3.3 kg
Dimensions L x W x H	290 x 236 x 153 mm

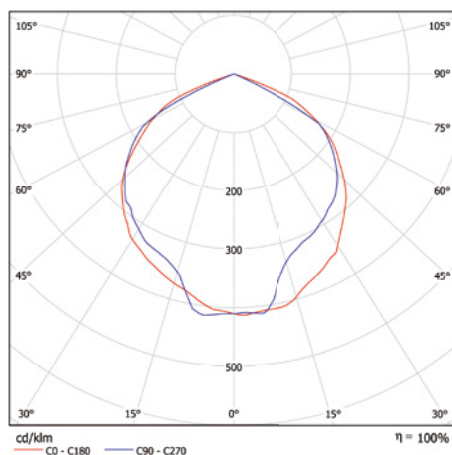
Light colour warm white 3.500K

EDP No.	Product ID No.	Watt
91114	990.FLOOD.LED.50W.WW.230VAC.IP65.S3.M with 3 m connection cable with non-rewireable Schuko plug 16A 230V (IP44)	50W
93354	990.FLOOD.LED.50W.WW.230VAC.IP65.M without connection cable	50W

Light colour cool white 5.500K

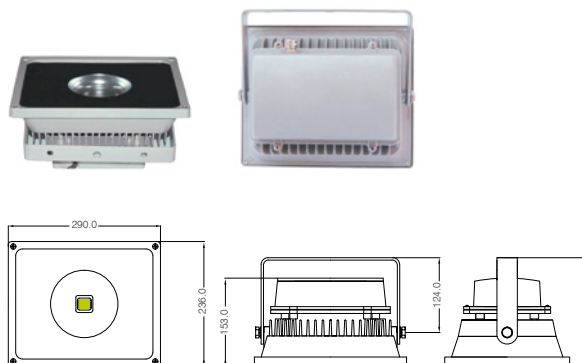
EDP No.	Product ID No.	Watt
91113	990.FLOOD.LED.50W.CW.230VAC.IP65.S3.GG.M with 3 m connection cable with non-rewireable Schuko plug 16A 230V (IP44)	50W
91541	990.FLOOD.LED.50W.CW.230VAC.IP65.M without connection cable	50W

Light intensity distribution (at 50W)



Different powers, voltages and colour temperatures on request.

PLAZA 990 Spot



Use: Indoor and Outdoor

Targeted accentuation for lighting façades and objects.

Advantages

- Full luminous flux is available immediately
- Lower power consumption with good luminous efficiency
- Minimal temperature development
- Extremely resistant to switching (> 1 million)
- Maintenance-free
- Operates within a broad temperature range -40°C up to +55°C
- No UV/IR-radiation
- Not sensitive to impact and vibrations

Included in the scope of delivery:

- retaining bracket for ceiling- wall- or floor-mounting

Accessories also available (see page 18).

LED Power	50W
Voltage	230VAC / 220VDC
Luminous flux	100lm/W
CRI-Index (colour rend. index)	Ra > 80
Average lifetime of LED at 20°C	> 50.000 h
Loss of luminous flux	< 10%
LED Resistance to switching	> 1 million
Colour temperature	approx. 3.500K / 5.500K
Temperature range for operation	-40°C up to +55°C
Material cabinet + reflector	aluminium
Colour	silver-grey
Cover	5 mm safety-glass
Type of protection / protection class	IP65 / I
Weight	3.3 kg
Dimensions L x W x H	290 x 236 x 153 mm

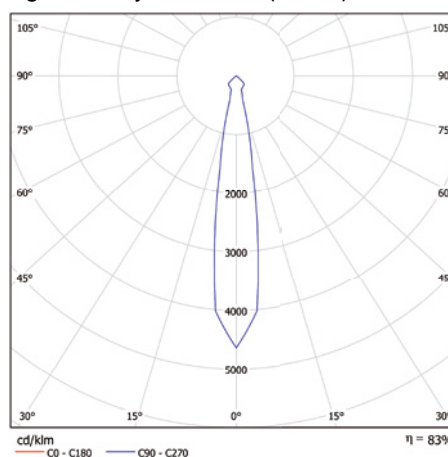
Light colour warm white 3.500K

EDP No.	Product ID No.	Watt
91115	990.SPOT.LED.50W.WW.230VAC.IP65.S3.GG.M with 3 m connection cable with non-rewireable Schuko plug 16A 230V (IP44)	50W
91542	990.SPOT.LED.50W.WW.230VAC.IP65.M without connection cable	50W

Light colour cool white 5.500K

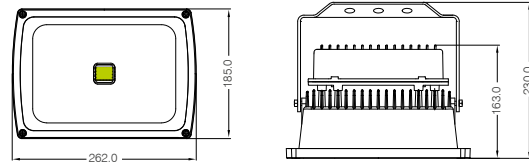
EDP No.	Product ID No.	Watt
91826	990.SPOT.LED.50W.CW.230VAC.IP65.S3.GG.M with 3 m connection cable with non-rewireable Schuko plug 16A 230V (IP44)	50W
92001	990.SPOT.LED.50W.CW.230VAC.IP65.M without connection cable	50W

Light intensity distribution (at 50W)



Alternative levels of output, voltages and colour temperatures available on request.

PLAZA 960 Flood



Use: Indoor and Outdoor

Advertising panels, gateways to yards, illumination of storefronts and objects, for emergency and salvage services, schools, public buildings etc.

Appropriate for all locations where a broad area of illumination is required.

Advantages

- Full luminous flux is available immediately
- Lower power consumption with good luminous efficiency
- Minimal temperature development
- Extremely resistant to switching (> 1 million)
- Maintenance-free
- Operates within a broad temperature range -40°C up to +55°C
- No UV/IR-radiation
- Not sensitive to impact and vibrations

Included in the scope of delivery:

- retaining bracket for ceiling- wall- or floor-mounting

LED Power	40W
Voltage	230VAC / 220VDC
Luminous flux	100lm/W
CRI-Index (colour rend. index)	Ra > 80
Average lifetime of LED at 20°C	> 50.000 h
Loss of luminous flux	< 10%
LED Resistance to switching	> 1 million
Colour temperature	approx. 3.500K / 5.500K
Temperature range for operation	-40°C up to +55°C
Material cabinet + reflector	aluminium
Colour	black
Cover	5 mm safety-glass
Type of protection / protection class	IP65 / I
Weight	3.3 kg
Dimensions L x W x H	262 x 185 x 163 mm

Light colour warm white 3.500K

EDP No.	Product ID No.	Watt
91103	960.FLOOD.LED.40W.WW.230VAC.IP65.S3.M with 3 m connection cable with non-rewireable Schuko plug 16A 230V (IP44)	40W
105651	960.FLOOD.LED.40W.WW.230VAC.IP65.M without connection cable	40W

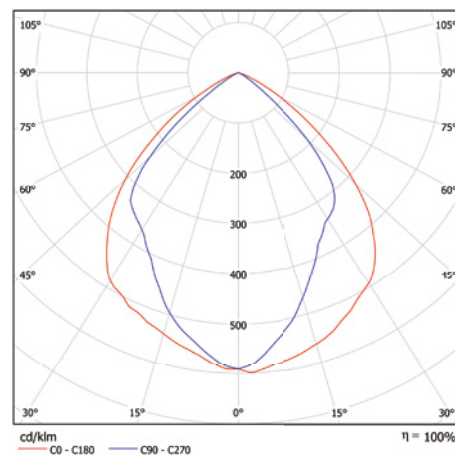
Light colour cool white 5.500K

EDP No.	Product ID No.	Watt
91101	960.FLOOD.LED.40W.CW.230VAC.IP65.S3.M with 3 m connection cables with non-rewireable Schuko plug 16A 230V (IP44)	40W
91543	960.FLOOD.LED.40W.CW.230VAC.IP65.M without connection cable	40W

Light colour cool white 5.500K -mounted on mobile stand

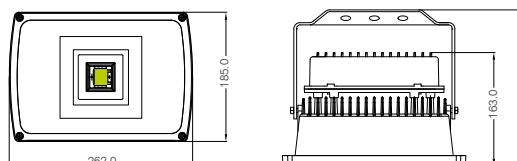
EDP No.	Product ID No.	Watt
94000	960.FLOOD.LED.40W.CW.230VAC.S3.MOB.M with 3 m connection cable with non-rewireable Schuko plug 16A 230V (IP44), mounted on mobile stand	40W

Light intensity distribution (at 40W)



Alternative levels of output, voltages and colour temperatures available on request.

PLAZA 960 Spot



Use: Indoor and Outdoor

Targeted accentuation for lighting façades and objects.

Light colour cool white 5.500K

EDP No.	Product ID No.	Watt
91106	960.SPOT.LED.40W.CW.230VAC.IP65.S3.M with 3 m connection cable with non-rewireable Schuko plug 16A 230V (IP44)	40W
91544	960.SPOT.LED.40W.CW.230VAC.IP65.M without connection cable	40W

Advantages

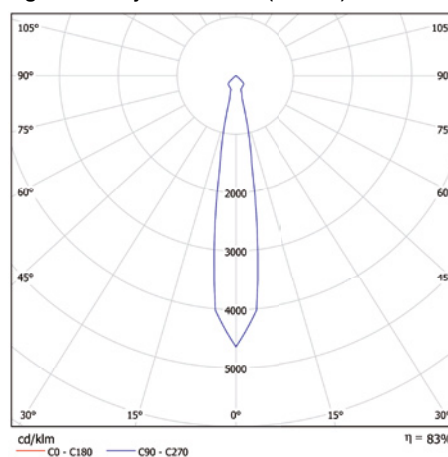
- Full luminous flux is available immediately
- Lower power consumption with good luminous efficiency
- Minimal temperature development
- Extremely resistant to switching (>1 million)
- Maintenance-free
- Operates within a broad temperature range -40°C up to +55°C
- No UV/IR-radiation
- Not sensitive to impact and vibrations

Included in the scope of delivery:

- retaining bracket for ceiling- wall- or floor-mounting

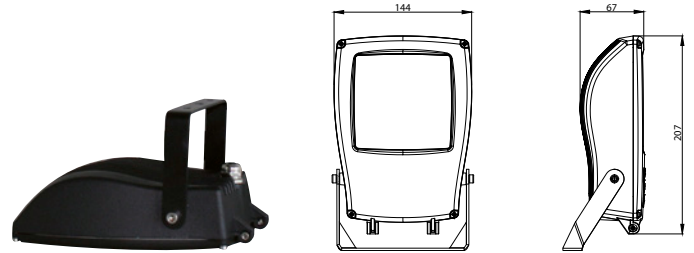
LED Power	40W
Voltage	230VAC / 220VDC
Luminous flux	100lm/W
CRI Index (colour rend. index)	Ra > 80
Average lifetime of LED at 20°C	> 50.000 h
Loss of luminous flux	< 10%
LED Resistance to switching	> 1 million
Colour temperature	approx. 5.500K
Temperature range for operation	-40°C up to +55°C
Material cabinet + reflector	aluminium
Colour	black
Cover	5 mm safety-glass
Type of protection / protection class	IP65 / I
Weight	3.3 kg
Dimensions L x W x H	262 x 185 x 163 mm

Light intensity distribution (at 40W)



Alternative levels of output, voltages and colour temperatures available on request.

PLAZA 914 Flood



Product Features

The PLAZA 914 are floodlights with symmetrical light characteristic and central light source.
The light has a slim design, powder coated black, with 5m supply cable H05RN-F and Schuko plug IP44.

- Full luminous flux is available immediately
- Lower power consumption with good luminous efficiency
- Minimal temperature development
- Extremely resistant to switching (>1 million)
- Maintenance-free
- Operates within a broad temperature range -40°C up to +55°C
- No UV/IR-radiation
- Not sensitive to impact and vibrations

LED Power	20W
Voltage	230VAC
Luminous flux	110lm/W
CRI Index (colour rend. index)	Ra>80
Light exit angle	120°
Average lifetime of LED at 20°C	>50.000h
Loss of luminous flux	<10%
LED Resistance to switching	>1Mio.
Light colour	warm white / cool white
Colour temperature	3.500K / 5.500K
Temperature range for operation	-40°C up to +55°C
Material cabinet	aluminium
Colour	black
Cover	5 mm safety-glas
Type of protection / protection class	IP65 / I
Type of protection plug	IP44
Weight	1,45 kg
Dimensions L x W x H	207 x 144 x 67 mm
Swivel range bracket	+/- 110°

Range of application

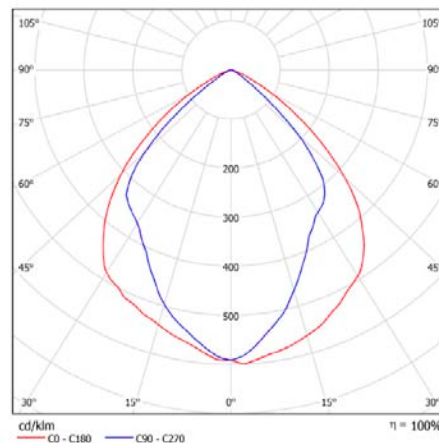
Appropriate for all locations for which a broad area of illumination is required

- Decorative and technical application
- Wall-mounting and ceiling-mounting
- Outdoor areas
- Shopping malls, public buildings...

Light colour warm white 3.500K		
EDP No.	Product ID No.	Watt
109359	914.FLOOD.LED.20W.WW.230VAC.IP65.S5 with 5 m connection cable H05RN-F 3G1 and Schuko plug / IP44	20W

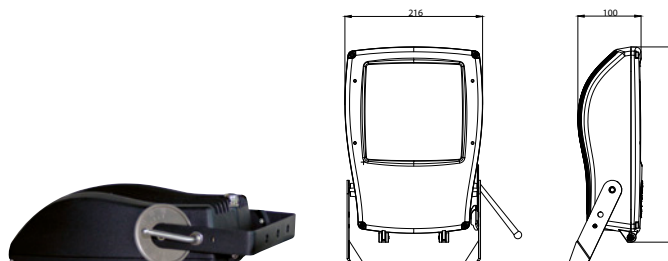
Light colour cool white 5.500K		
EDP No.	Product ID No.	Watt
109357	914.FLOOD.LED.20W.CW.230VAC.IP65.S5 with 5 m connection cable H05RN-F 3G1 and Schuko plug / IP44	20W

Light intensity distribution



Other voltage ranges and light colors on request.

PLAZA 921 Flood



Product Features

The PLAZA 921 are floodlights with symmetrical light characteristic and central light source.

The light has a slim design, powder coated black, with 5m supply cable H05RN-F and Schuko plug IP44.

- Full luminous flux is available immediately
- Lower power consumption with good luminous efficiency
- Minimal temperature development
- Extremely resistant to switching (>1 million)
- Maintenance-free
- Operates within a broad temperature range -40°C up to +55°C
- No UV/IR-radiation
- Not sensitive to impact and vibrations

LED Power	30W
Voltage	230VAC
Luminous flux	110lm/W
CRI Index (colour rend. index)	Ra > 80
Light exit angle	120°
Average lifetime of LED at 20°C	> 50.000h
Loss of luminous flux	< 10%
LED Resistance to switching	> 1Mio.
Light colour	warm white / cool white
Colour temperature	3.500K / 5.500K
Temperature range for operation	-40°C up to +55°C
Material cabinet	aluminium
Colour	black
Cover	5 mm safety-glas
Type of protection / protection class	IP65 / I
Type of protection plug	IP44
Weight	3,3 kg
Dimensions L x W x H	306 x 216 x 100 mm
Swivel range bracket	+/- 110°

Range of application

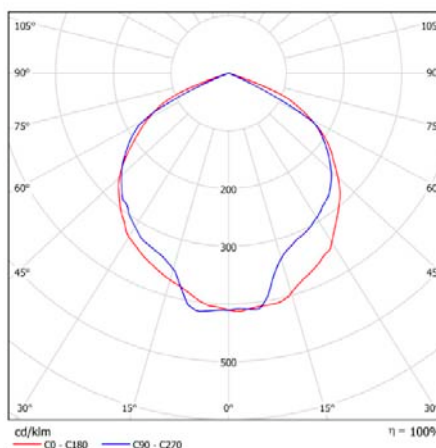
Appropriate for all locations for which a broad area of illumination is required

- Decorative and technical application
- Wall-mounting and ceiling-mounting
- Outdoor areas
- Shopping malls, public buildings...

Light colour: warm white 3.500K		
EDV-Nr.	Product ID No.	Watt
109361	921.FLOOD.LED.30W.WW.230VAC.IP65.S5 with 5 m connection cable H05RN-F 3G1 and Schuko plug / IP44	30W

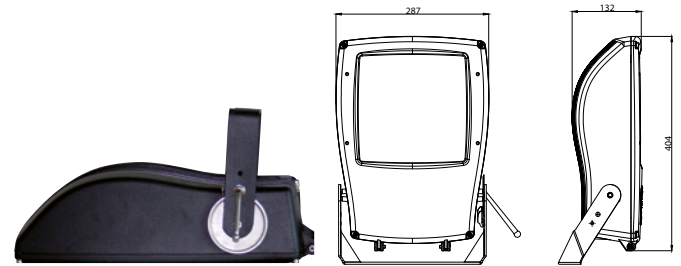
Light colour cool white 5.500K		
EDV-Nr.	Product ID No.	Watt
109362	921.FLOOD.LED.30W.CW.230VAC.IP65.S5 with 5 m connection cable H05RN-F 3G1 and Schuko plug / IP44	30W

Light intensity distribution



Other voltage ranges and light colors on request.

PLAZA 928 Flood



Product Features

The PLAZA 928 are floodlights with symmetrical light characteristic and central light source.
The light has a slim design, powder coated black, with 5m supply cable H05RN-F and Schuko plug IP44.

- Full luminous flux is available immediately
- Lower power consumption with good luminous efficiency
- Minimal temperature development
- Extremely resistant to switching (> 1 million)
- Maintenance-free
- Operates within a broad temperature range -40°C up to +55°C
- No UV/IR-radiation
- Not sensitive to impact and vibrations

Range of application

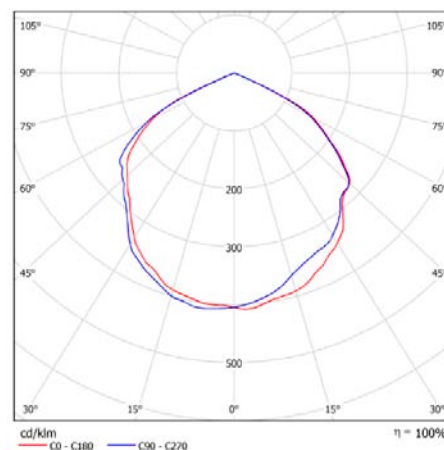
Appropriate for all locations for which a broad area of illumination is required

- Decorative and technical application
- Wall-mounting and ceiling-mounting
- Outdoor areas
- Shopping malls, public buildings...

Light colour: cool white 5.500K		
EDV-Nr.	Product ID No.	Watt
109363	928.FLOOD.LED.50W.CW.230VAC.IP65.S5 with 5 m connection cable H05RN-F 3G1 and Schuko plug / IP44	50W
109364	928.FLOOD.LED.70W.CW.230VAC.IP65.S5 with 5 m connection cable H05RN-F 3G1 and Schuko plug / IP44	70W

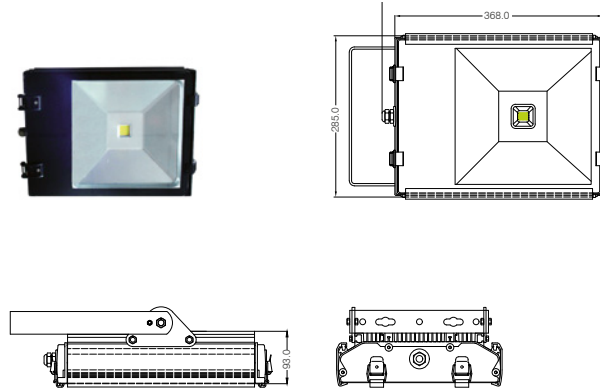
LED Power	50W / 70W
Voltage	230VAC
Luminous flux	110lm/W
CRI Index (colour rend. index)	Ra>80
Light exit angle	120°
Average lifetime of LED at 20°C	>50.000h
Loss of luminous flux	<10%
LED Schaltfestigkeit	>1Mio.
Light colour	cool white
Colour temperature	5.500K
Temperature range for operation	-40°C up to +55°C
Material cabinet	aluminium
Colour	black
Cover	5 mm safety-glas
Type of protection / protection class	IP65 / I
Type of protection plug	IP44
Weight	5,1 kg
Dimensions L x W x H	404 x 287 x 132 mm
Swivel range bracket	+/- 110°

Light intensity distribution



Other voltage ranges and light colors on request.

PLAZA 970 Flood



Use: Indoor and Outdoor

Industrial halls, advertising panels, gateways to yards, façades, objects, sports facilities, traffic tunnels etc.

Appropriate for all locations where a broad area of illumination is required.

Advantages

- Full luminous flux is available immediately
- Lower power consumption with good luminous efficiency
- Minimal temperature development
- Extremely resistant to switching (>1 million)
- Maintenance-free
- Operates within a broad temperature range -40°C up to +55°C
- No UV/IR-radiation
- Not sensitive to impact and vibrations

Included in the scope of delivery:

- retaining bracket for ceiling- wall- or floor-mounting

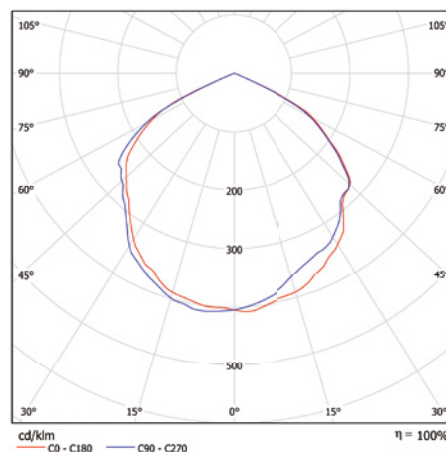
Accessories also available (see page 18)

LED Power	50W / 70W
Voltage	230VAC / 220VDC
Luminous flux	100lm/W
CRI-Index (colour rend. index)	Ra > 80
Average lifetime of LED at 20°C	> 50.000 h
Loss of luminous flux	< 10%
LED Resistance to switching	> 1 million
Colour temperature	approx. 5,500K
Temperature range for operation	-40°C up to +55°C
Material cabinet + reflector	aluminium
Colour	silver-grey
Cover	5 mm safety-glass
Type of protection / protection class	IP65 / I
Weight	7.4 kg
Dimensions L x W x H	393 x 300 x 93 mm

Light colour cool white 5.500K

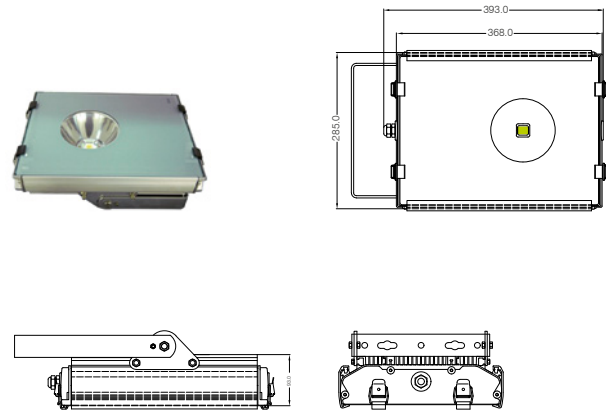
EDP No.	Product ID No.	Watt
91087	970.FLOOD.LED.50W.CW.230VAC.IP65.HI.M	50W
91090	970.FLOOD.LED.70W.CW.230VAC.IP65.HI.M	70W

Light intensity distribution (at 70W)



Alternative levels of output, voltages and colour temperatures available on request.

PLAZA 970 Spot



Use: Indoor and Outdoor

Targeted accentuation for lighting façades and objects.

Light colour cool white 5.500K		
EDP No.	Product ID No.	Watt
91096	970.SPOT.LED.70W.CW.230VAC.IP65.HI.M	70W

Advantages

- Full luminous flux is available immediately
- Lower power consumption with good luminous efficiency
- Minimal temperature development
- Extremely resistant to switching (>1 million)
- Maintenance-free
- Operates within a broad temperature range -40°C up to +55°C
- No UV/IR-radiation
- Not sensitive to impact and vibrations

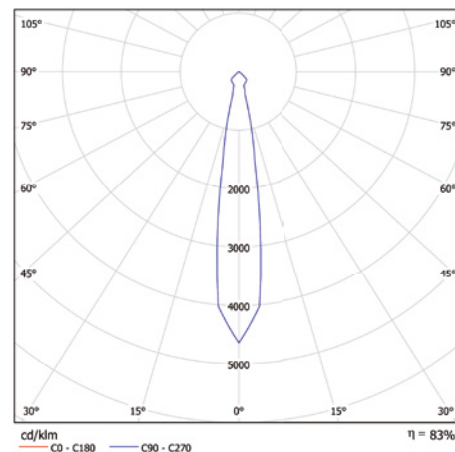
Included in the scope of delivery:

- retaining bracket for ceiling- wall- or floor-mounting

Accessories also available (see page 18).

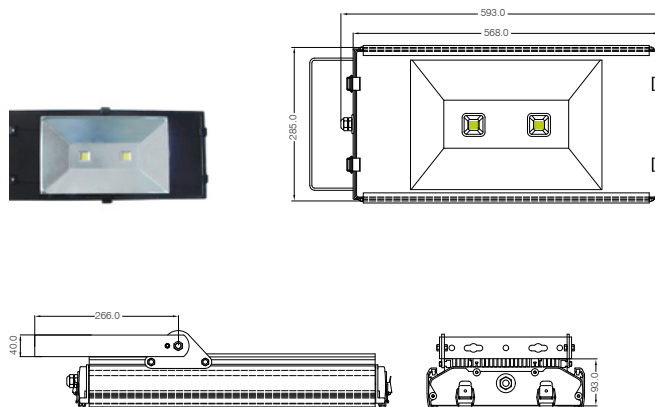
LED Power	70W
Voltage	230VAC / 220VDC
Luminous flux	100lm/W
CRI-Index (colour rend. index)	Ra>80
Average lifetime of LED at 20°C	>50.000 h
Loss of luminous flux	<10%
LED Resistance to switching	>1 million
Colour temperature	approx. 5.500K
Temperature range for operation	-40°C up to +55°C
Material cabinet + reflector	aluminium
Colour	silver-grey
Cover	5 mm safety-glass
Type of protection / protection class	IP65 / I
Weight	7.4 kg
Dimensions L x W x H	393 x 300 x 93 mm

Light intensity distribution (at 70W)



Alternative levels of output, voltages and colour temperatures available on request.

PLAZA 972 Flood



Use: Indoor and Outdoor

Industrial halls, advertising panels, gateways to yards, façades, objects, sports facilities, traffic tunnels etc.

Appropriate for all locations where a broad area of illumination is required.

Advantages

- Full luminous flux is available immediately
- Lower power consumption with good luminous efficiency
- Minimal temperature development
- Extremely resistant to switching (>1 million)
- Maintenance-free
- Operates within a broad temperature range -40°C up to +55°C
- No UV/IR-radiation
- Not sensitive to impact and vibrations

Included in the scope of delivery:

- retaining bracket for ceiling- wall- or floor-mounting

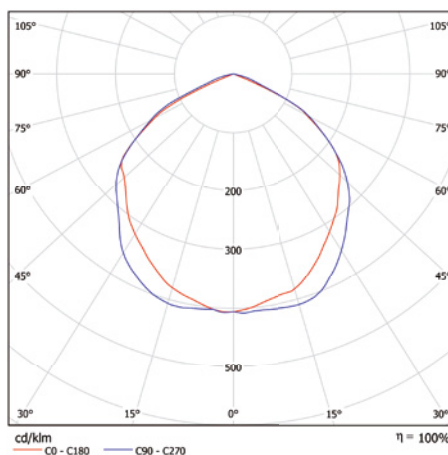
Accessories also available (see page 18).

LED Power	140W
Voltage	230VAC / 220VDC
Luminous flux	100lm/W
CRI-Index (colour rend. index)	Ra>80
Average lifetime of LED at 20°C	>50.000 h
Loss of luminous flux	<10%
LED Resistance to switching	>1 million
Colour temperature	approx. 5.500K
Temperature range for operation	-40°C up to +55°C
Material cabinet + reflector	aluminium
Colour	silver-grey
Cover	5 mm safety-glass
Type of protection / protection class	IP65 / I
Weight	10.6 kg
Dimensions L x W x H	593 x 300 x 93 mm

Light colour cool white 5.500K

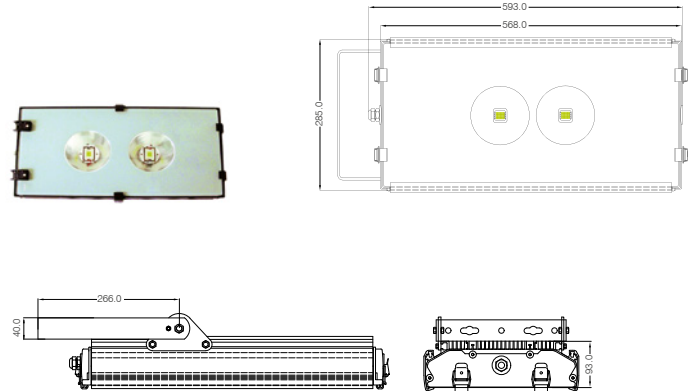
EDP No.	Product ID No.	Watt
91079	972.FLOOD.LED.140W.CW.230VAC.IP65.HI.M	140W

Light intensity distribution (at 140W)



Alternative levels of output, voltages and colour temperatures available on request.

PLAZA 972 Spot



Use: Indoor and Outdoor

Targeted accentuation for lighting façades and objects.

Reach to approx. 200 m.

Advantages

- Full luminous flux is available immediately
- Lower power consumption with good luminous efficiency
- Minimal temperature development
- Extremely resistant to switching (> 1 million)
- Maintenance-free
- Operates within a broad temperature range -40°C up to +55°C
- No UV/IR-radiation
- Not sensitive to impact and vibrations

Included in the scope of delivery:

- retaining bracket for ceiling- wall- or floor-mounting

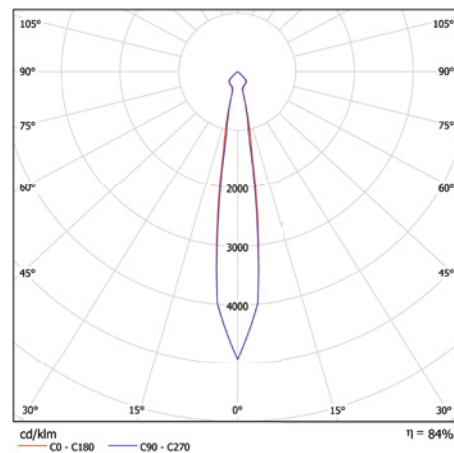
Accessories also available (see page 18).

LED Power	140W
Voltage	230VAC / 220VDC
Luminous flux	100lm/W
CRI-Index (colour rend. index)	Ra>80
Average lifetime of LED at 20°C	>50.000 h
Loss of luminous flux	< 10%
LED Resistance to switching	>1 million
Colour temperature	approx. 5.500K
Temperature range for operation	-40°C up to +55°C
Material cabinet + reflector	aluminium
Colour	silver-grey
Cover	5 mm safety-glass
Type of protection / protection class	IP65 / I
Weight	10.6 kg
Dimensions L x W x H	593 x 300 x 93 mm

Light colour cool white 5.500K

EDP No.	Product ID No.	Watt
91083	972.SPOT.LED.140W.CW.230VAC.IP65.HI.M	140W

Light intensity distribution (at 140W)



Alternative levels of output, voltages and colour temperatures available on request.

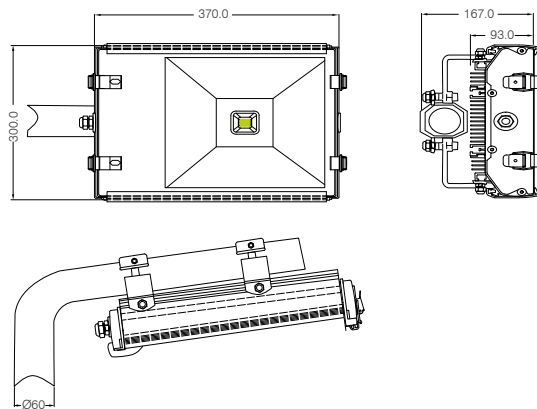
Accessories for LED light PLAZA

The lights can be easily mounted using hammerhead bolts due to the fact that the groove profile is flush-mounted on the rear side

Square nuts can also be inserted into the profiles that are open on the front side.

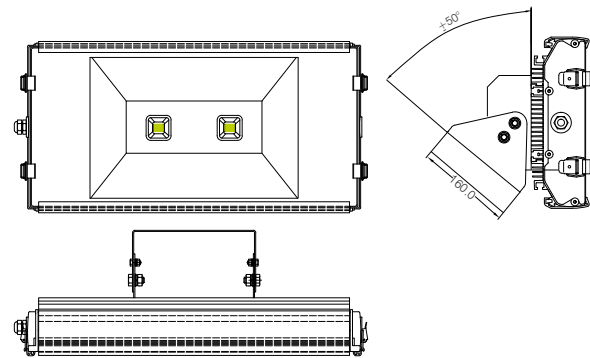
Mast bracket for PLAZA 970 / 972

with clip 50-60 mm
Material: steel, black coated



Swivelling bracket for PLAZA 970 / 972

Adjustable positioning: lateral swing angle +/- 25°
Longitudinal swing angle +/- 50°
Material: steel, black coated

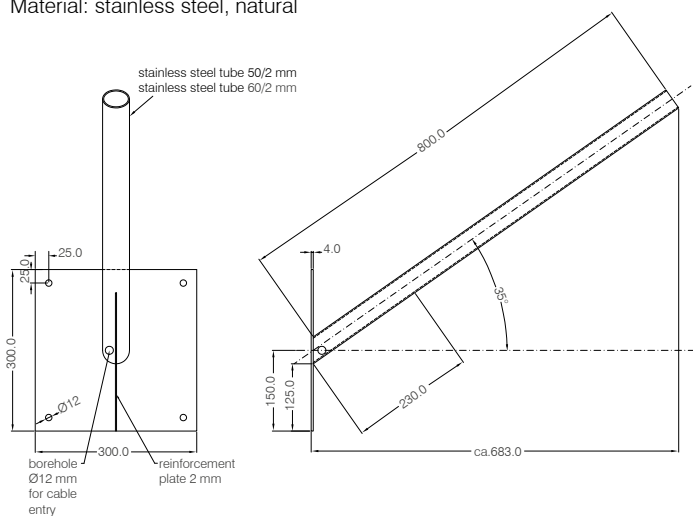


EDP No.	Product ID No.
91214	970/972.MASTHALTER.60MM.ST37.SW. Mast bracket 50-60 mm

EDP No.	Product ID No.
91012	970/972.SCHWENKHALTER.ST37.SW. Swing bracket lateral +/- 25° / longitudinal +/- 50°

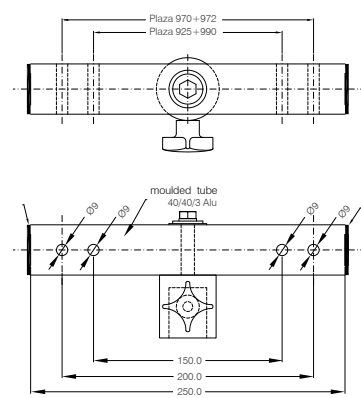
Wall bracket for PLAZA 5324 // 970 / 972 / 7235 / 720 / 920 / 9946

Stainless steel tube open at the top for cable entry
Material: stainless steel, natural



Tripod fixing for PLAZA 925 / 990 / 970 / 972

with standard sleeve
Material: aluminium



EDP No.	Product ID No.
103665	WANDAUSLEGER.PLAZA.300.300.683.50MM.V2A.M for PLAZA 5324
108147	WANDAUSLEGER.PLAZA.300.300.683.60MM.V2A.M for PLAZA 970, 972, 7235, 720, 920, 1200, 9946

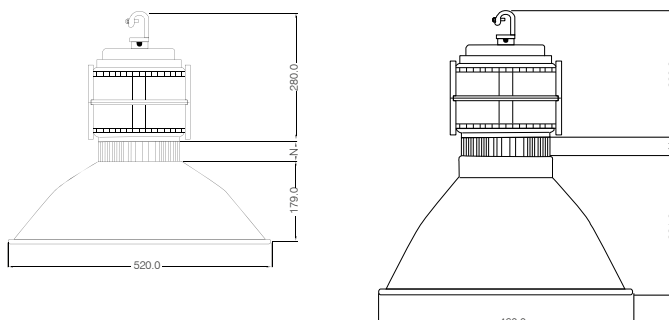
EDP No.	Product ID No.
104102	925.990.970.972.STATIVHALT.40.40.250MM.NORMH.M

PLAZA 995



995.B D=520 mm

995.E D=460 mm



Use: Indoor

Broad illumination in industry and trade.
Ideal as a replacement for HID lights.

995.B for mounting at approx. 8 m
995.E for mounting above approx. 8 m

Advantages

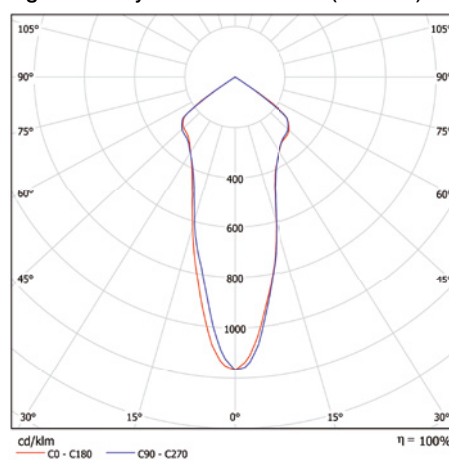
- Full luminous flux is available immediately
- Lower power consumption with good luminous efficiency
- Minimal temperature development
- Extremely resistant to switching (> 1 million)
- Maintenance-free
- Operates within a broad temperature range -40°C up to +55°C
- No UV/IR-radiation
- Not sensitive to impact and vibrations

LED Power	100W
Voltage	230VAC
Luminous flux	100lm/W
CRI-Index (colour rend. index)	Ra>80
Average lifetime of LED at 20°C	>50.000 h
Loss of luminous flux	< 10%
LED Resistance to switching	>1 million
Colour temperature	approx. 5.500K
Temperature range for operation	-40°C up to +55°C
Material cabinet + reflector	aluminium
Colour	silver-grey / black
Cover	acrylic glass
Type of protection / protection class	IP65 / I
Weight	5.1 kg
Dimensions 995.B W x H	520 x 584 mm
Dimensions 995.E W x H	460 x 726 mm

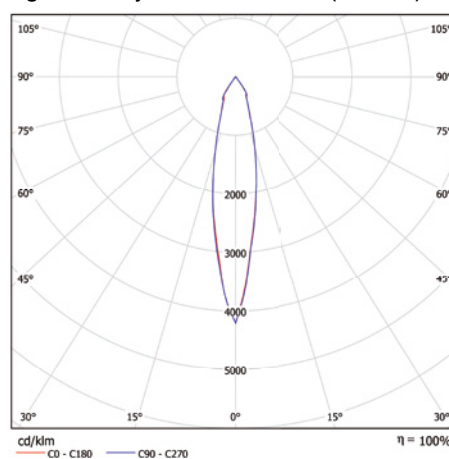
Light colour cool white 5.500K

EDP No.	Product ID No.	Watt
91116	995.B.HÄ.LED.100W.CW.230VAC.IP65.M	100W
91118	995.E.HÄ.LED.100W.CW.230VAC.IP65.M	100W

Light intensity distribution 995.B (at 100W)

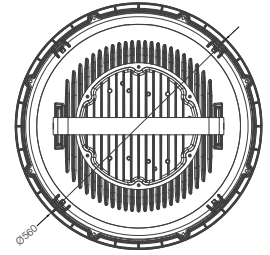
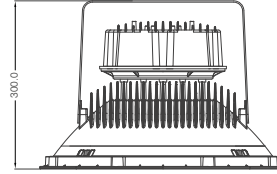


Light intensity distribution 995.E (at 100W)



Alternative levels of output, voltages and colour temperatures available on request.

PLAZA 9530



Use: Indoor

Broad illumination for industry and trade.

9530.B for mounting at approx. 15 m

9530.E for mounting above approx. 15 m

Advantages

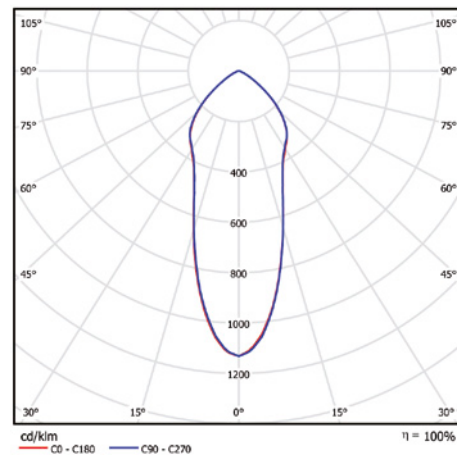
- Full luminous flux is available immediately
- Lower power consumption with good luminous efficiency
- Minimal temperature development
- Extremely resistant to switching (> 1 million)
- Maintenance-free
- Operates within a broad temperature range -40°C up to +55°C
- No UV/IR-radiation
- Not sensitive to impact and vibrations

LED Power	200W (+30W at 9530.B)
Voltage	230VAC
Luminous flux	100lm/W
CRI-Index (colour rend. index)	Ra > 80
Average lifetime of LED at 20°C	> 50.000 h
Loss of luminous flux	< 10%
LED Resistance to switching	> 1 million
Colour temperature	approx. 5.500K
Temperature range for operation	-40°C up to +55°C
Material cabinet + reflector	aluminium
Colour	silver-grey
Cover	acrylic glass
Type of protection / protection class	IP65 / I
Weight	15 kg
Dimensions 9530.B x H	560 x 400 mm

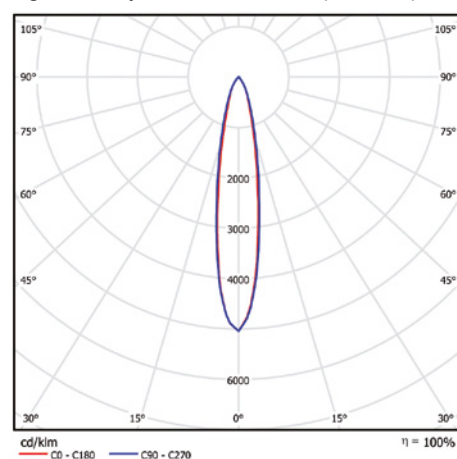
Light colour cool white 5.500K

EDP No.	Product ID No.	Watt
104461	9530.B.HÄ.LED.200W+30W.CW.230VAC.IP65.HI.M	200W
104462	9530.E.HÄ.LED.200W.CW.230VAC.IP65.HI.M	200W

Light intensity distribution 9530.B (at 200W+30W)



Light intensity distribution 9530.E (bei 200W)



Alternative levels of output, voltages and colour temperatures available on request.

PLAZA 5324



Use: Outdoor

Lighting for car parks, local lighting, parks, etc.

Advantages

- Full luminous flux is available immediately
- Minimal temperature development
- Extremely resistant to switching (>1 million)
- Maintenance-free
- Operates within a broad temperature range -40°C up to +55°C
- No UV/IR-radiation
- Not sensitive to impact and vibrations
- Long life

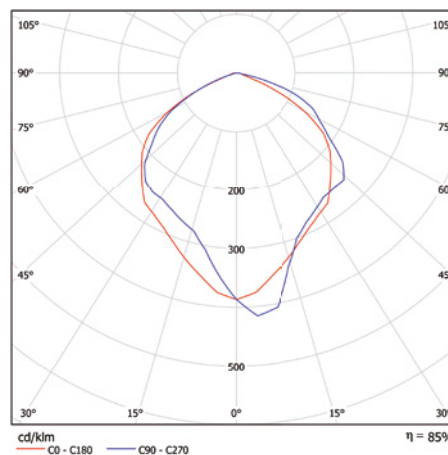
Accessories also available (see page 18).

LED Power	20W
Voltage	85-265VAC
Luminous flux	100lm/W
CRI Index (colour rend. index)	Ra>80
Average lifetime of LED at 20°C	>50,000 h
Loss of luminous flux	<10%
LED Resistance to switching	>1 million
Colour temperature	approx. 5,500K
Temperature range for operation	-40°C up to +60 C
Material cabinet + reflector	aluminium
Mounting	up to approx. 4 m
To take tube	up to 52 mm
Type of protection / protection class	IP65 / I
Weight	4 kg
Dimensions L x W x H	530 x 242 x 142 mm

Light colour cool white 5.500K

EDP No.	Product ID No.	Watt
91123	MASTANSATZL.5324.85-265V.20W.CW.IP65.M	20W

Light intensity distribution (at 20W)



Alternative levels of output, voltages (also 24VDC for solar supply) and colour temperatures available on request.

PLAZA 7235



Use: Outdoor

Lighting for car parks, local lighting, parks, etc.

Light colour cool white 5.500K

EDP No.	Product ID No.	Watt
91289	MASTANSATZL.7235.85-265V.40W.CW.IP65.M	40W

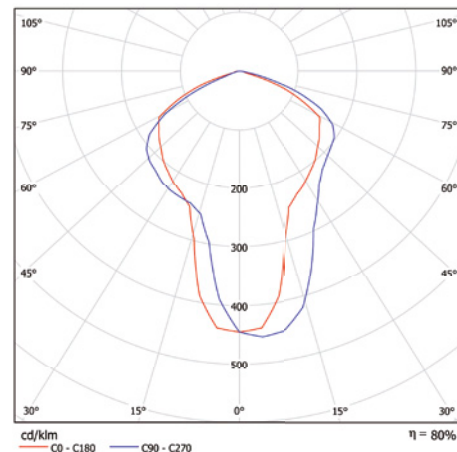
Advantages

- Full luminous flux is available immediately
- Minimal temperature development
- Extremely resistant to switching (> 1 million)
- Maintenance-free
- Operates within a broad temperature range -40°C up to +55°C
- No UV/IR-radiation
- Not sensitive to impact and vibrations
- Long life

Accessories also available (see page 18).

LED Power	40W
Voltage	85-265VAC
Luminous flux	100lm/W
CRI Index (colour rend. index)	Ra>80
Average lifetime of LED at 20°C	>50.000 h
LED Resistance to switching	>1 million
Colour temperature	approx. 5.500K
Temperature range for operation	-40°C up to +60 C
Material cabinet + reflector	aluminium
Mounting	up to approx. 6 m
To take tube	60 mm
Type of protection / protection class	IP65 / I
Weight	6.5 kg
Dimensions L x W x H	713 x 354 x 161 mm

Light intensity distribution (at 40W)



Alternative levels of output, voltages (also 24VDC for solar supply) and colour temperatures available on request.

PLAZA 720



Use: Outdoor

Lighting for streets, car parks, paths, parks, schools, etc.

Advantages

- Full luminous flux is available immediately
- Minimal temperature development
- Extremely resistant to switching (>1 million)
- Maintenance-free
- Operates within a broad temperature range -40°C up to +55°C
- No UV/IR-radiation
- Not sensitive to impact and vibrations
- Long-life

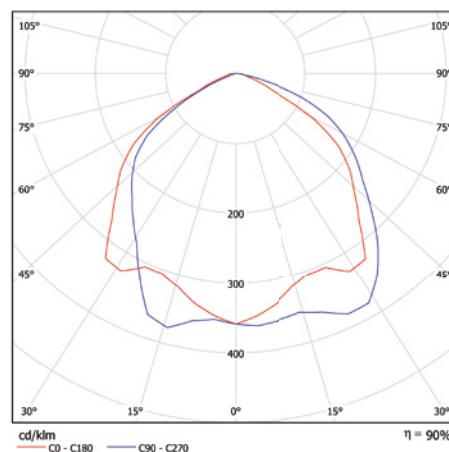
Accessories also available (see page 18).

LED Power	100W
Voltage	85-265VAC
Luminous flux	100lm/W
CRI-Index (colour rend. index)	Ra>80
Average lifetime of LED at 20°C	>50.000 h
LED Resistance to switching	>1 million
Colour temperature	approx. 5.500K
Temperature range for operation	-40°C up to +60 C
Material cabinet + reflector	aluminium
Mounting	up to approx. 8 m
for lamp pipe diameter	60 mm
Type of protection / protection class	IP65 / I
Weight	9.6 kg
Dimensions L x W x H	720 x 324 x 172 mm

Light colour cool white 5.500K

EDP No.	Product ID No.	Watt
91124	MASTANSATZL.720.85-265V.100W.CW.IP65.M	100W

Light intensity distribution (at 100W)



Alternative levels of output, voltages (also 24VDC for solar supply) and colour temperatures available on request

PLAZA 920



Use: Outdoor

Lighting for streets, pathways, car parks, industry, schools etc.

Light colour cool white 5.500K

EDP No.	Product ID No.	Watt
91290	MASTANSATZL.920.85-265V.100W.CW.IP65.M	100W

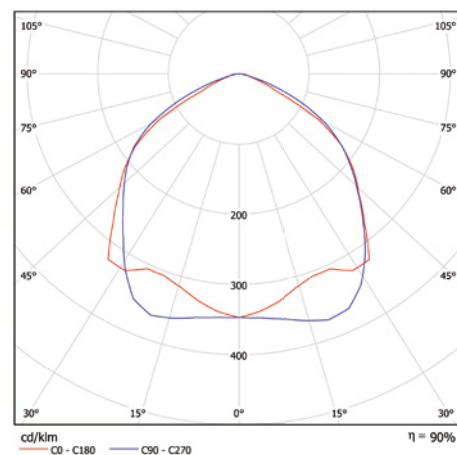
Advantages

- Full luminous flux is available immediately
- Minimal temperature development
- Extremely resistant to switching (> 1 million)
- Maintenance-free
- Operates within a broad temperature range -40°C up to +55°C
- No UV/IR-radiation
- Not sensitive to impact and vibrations
- Long-life

Accessories also available (see page 18).

LED Power	100W
Voltage	85-265VAC
Luminous flux	100lm/W
CRI-Index (colour rend. index)	Ra>80
Average lifetime of LED at 20°C	> 50.000h
LED Resistance to switching	> 1 million
Colour temperature	approx. 5.500K
Temperature range for operation	-40°C up to +60 C
Material cabinet + reflector	aluminium
Mounting	up to approx. 9 m
for lamp pipe diameter	60 mm
Type of protection / protection class	IP65 / I
Weight	9.7 kg
Dimensions L x W x H	940 x 300 x 175 mm

Lighting distribution curve (at 100W)



Alternative levels of output, voltages (also 24VDC for solar supply) and colour temperatures available on request.

PLAZA 9946



Use: Outdoor

Lighting for streets, pathways, car parks, local lighting, schools, industry etc.

Light colour cool white 5.500K

EDP No.	Product ID No.	Watt
114013	MASTANSATZL.9946.100-265V.200W.CW.IP65.HI.M	200W

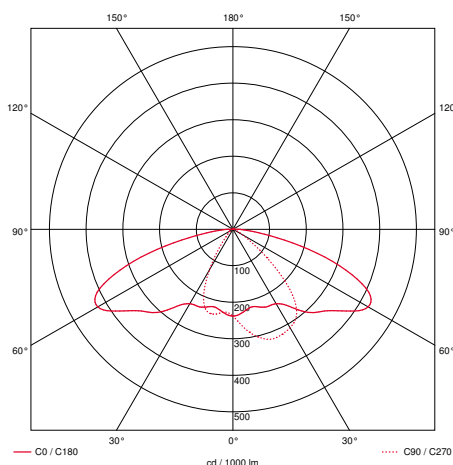
Advantages

- Full luminous flux is available immediately
- Minimal temperature development
- Extremely resistant to switching (> 1 million)
- Maintenance-free
- Operates within a broad temperature range -40°C up to +55°C
- No UV/IR-radiation
- Not sensitive to impact and vibrations
- Long life

Accessories also available (see page 18).

LED Power	200W
Voltage	85-265VAC
Luminous flux	100lm/W
CRI-Index (colour rend. index)	Ra>80
Average lifetime of LED at 20°C	>50.000 h
LED Resistance to switching	> 1 million
Colour temperature	approx. 5.500K
Temperature range for operation	-40°C up to +60 C
Material cabinet + reflector	aluminium
Mounting	up to approx. 14 m
for lamp pipe diameter	60 mm
Type of protection / protection class	IP65 / I
Weight	18.1 kg
Dimensions L x W x H	997 x 455 x 199 mm

Light intensity distribution (at 200W)



Alternative levels of output, voltages (also 24VDC for solar supply) and colour temperatures available on request.

PLAZA 925 Emergency-Set



Use: Indoor and Outdoor

Disaster control, building sites, inspections, events, etc.

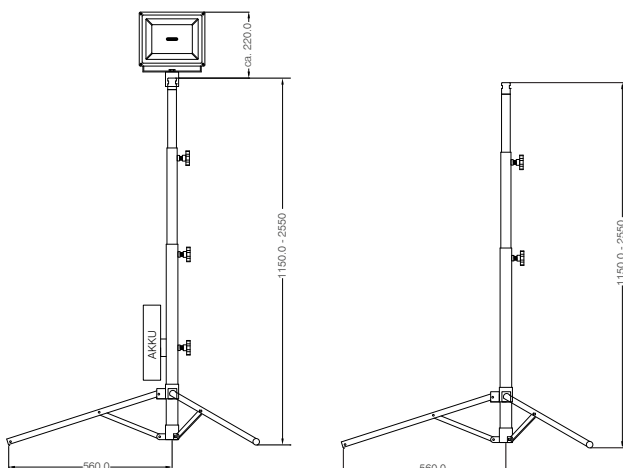
Suitable for all areas that require extensive ambient lighting.

Advantages

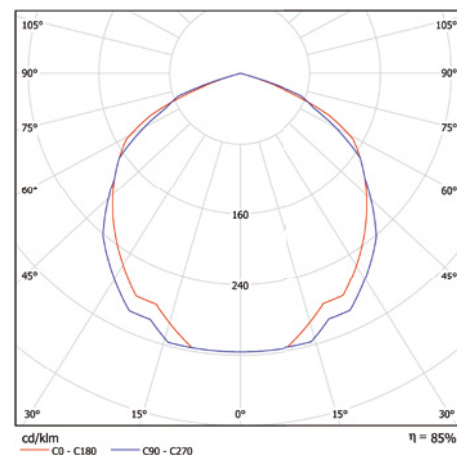
- quick and easy to assemble
- low energy consumption with a high light output
- minimal temperature build-up
- extremely resistant to switching (>1 million)
- maintenance-free
- no UV/IR radiation
- not sensitive to impact and vibrations

LED Power	30W
Voltage	230VAC
Accu	LI-ION 10Ah 36VDC
Charging time	50% 20 h / 100% 10 h
Luminous flux	100lm/W
CRI Index	Ra>80
Average lifetime of LED at 20°C	>50.000 h
Loss of luminous flux	<10%
LED Resistance to switching	>1 million
Colour temperature	approx. 5.500K
Temperature range for operation	-20°C up to +40°C
Material cabinet + reflector	aluminium
Colour LED spotlight	silver-grey
Colour tripod	black
Cover	5 mm safety glass
Type of protection / protection class lights and power pack	IP65 / III
Type of protection / protection class charger	IP44 / I
Weight incl. Flightcase	approx. 22 kg
Dimensions Flightcase L x W x H	1250 x 430 x 220 mm

Emergency		
EDP No.	Product ID No.	Description
109809	925.MOBILE.FLOOD.LED.30W.CW.EMERG.SET.M	EMERGENCY-SET 30W LED-spotlight, coolw. 5,500K, with tripod in Flightcase mobile, power pack LI 36V10Ah, stage switching 10 h/20 h
109831	925.MOBILE.FLOOD.LED.30W.CW.EMERG.O.FC.M	EMERGENCY-SET 30W LED-spotlight, coolw. 5500K, with tripod without Flightcase, power pack LI 36V10Ah, stage switching 10 h/20 h
109741	925.MOBILE.TRANSPORTKOFFER.M.SCHAUMSTOFFEINLAGE	Transport case for emergency lighting system



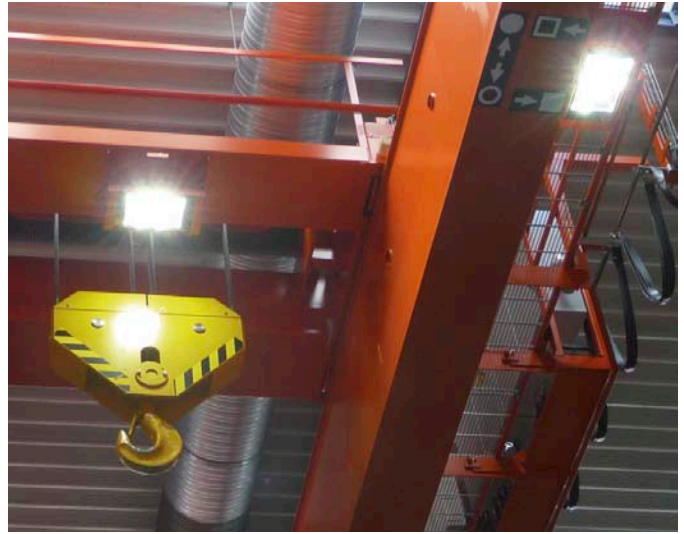
Light intensity distribution (at 30W)



Application examples / customer solutions



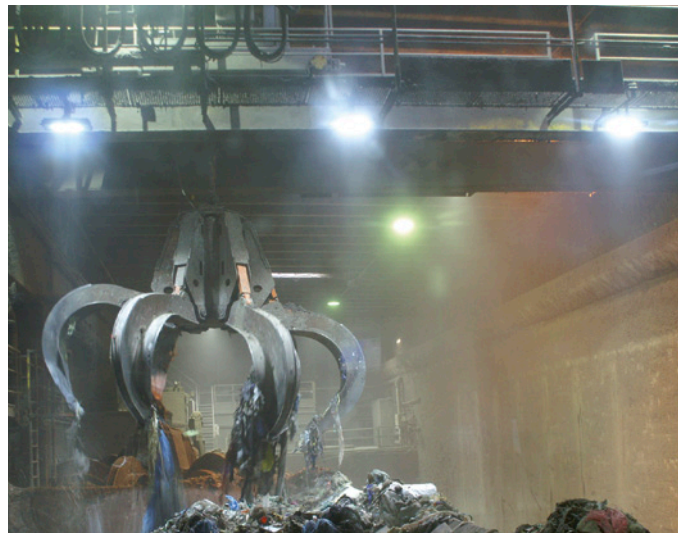
EDP No. 91079, Hall lighting



EDP No. 91079, Crane lighting, bridge crane



EDP No. 91090, Final check, construction materials industry



EDP No. 91079, Lighting waste bunker



EDP No. 108559, Hall lighting plastics industry



EDP No. 91116, Meat processing, slaughterhouse

Application examples / customer solutions



EDP No. 93451, car park



EDP No. 91124, car park, Park and Ride

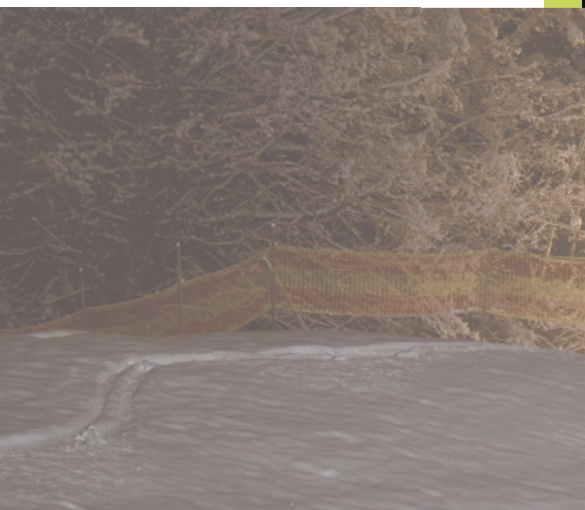


EDP No. 91124, Employee parking, chemical park



EDP No. 93451, School building approach

CONTACT US



GIFAS
ELECTRIC

GIFAS-ELECTRIC GmbH Web: www.gifas.at
Pebering-Straß 2 Mail: office@gifas.at
5301 Eugendorf Phone: +43 6225 / 7191 - 0
AUSTRIA Fax: +43 6225 / 7191 - 47

Subject to technical changes V10/2013